

Components & Specs



JAI
PRODUCTS

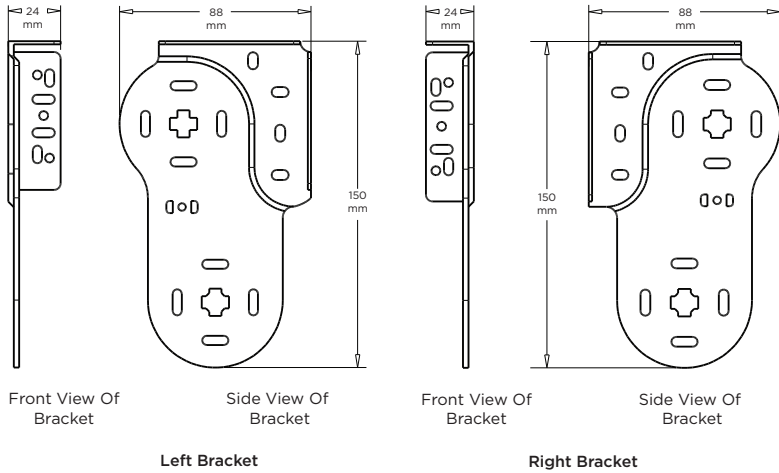
Roller BLIND

Slim Double Brackets

Slim Double Brackets Specifications

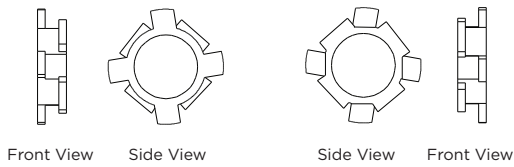


SLIM DOUBLE BRACKETS

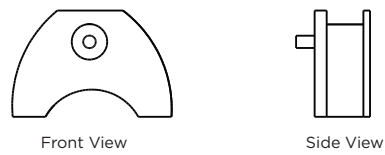


Description	38mm Double Bracket
Code	R01NSDB38
Material	1.5mm Powdercoated Steel
Colours	Beige, Black, Grey, Ivory, White
Notes	Universal Left/Right Operations
Fabric Drop	3.1m drop using 38mm tube 3m drop using 45mm tube

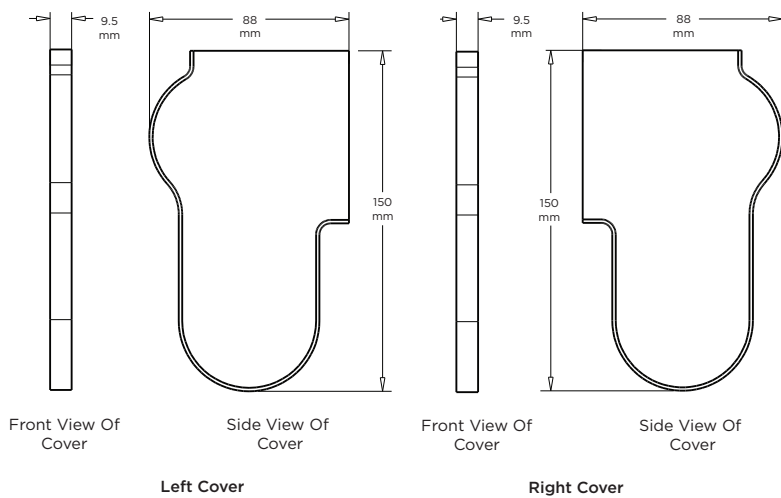
IDLER BEARINGS



CHAIN DIVERTER



SLIM DOUBLE BRACKET COVERS

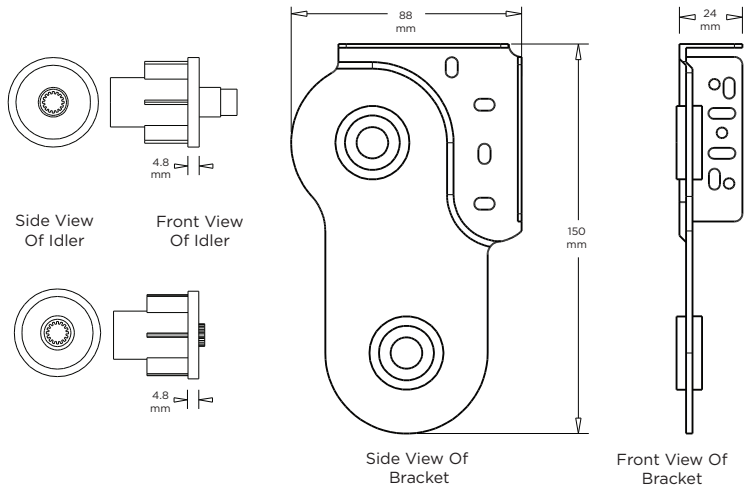


Description	38mm Double Bracket Covers
Code	R01NCSD38
Material	POM
Colours	Beige, Black, Grey, Ivory, White
Notes	Covers Brackets & Screws
For Use With	R01NSDB38 - Slim Double Brackets

Slim Double Brackets Specifications

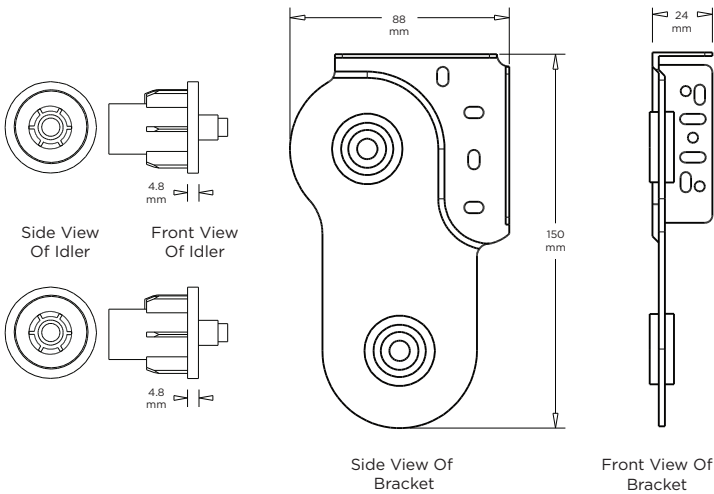


SLIM DOUBLE BRACKETS - SPLIT BLIND - Linked (J)



Description	Universal Slim Double J Brackets
Code	R01NSDJB3838
Material	1.5m Powdercoated Steel
Colours	Beige, Black, Grey, Ivory, White
Notes	Universal Raise Together
Fabric Drop	3.1m drop using 38mm Tube 3m drop using 45mm Tube

SLIM DOUBLE BRACKETS - SPLIT BLIND - Independent (M)



Description	Universal Slim Double M Brackets
Code	R01NSDMB3838
Material	1.5m Powdercoated Steel
Colours	Beige, Black, Grey, Ivory, White
Notes	Universal - Raise Independently
Fabric Drop	3.1m drop using 38mm Tube 3m drop using 45mm Tube

Important Note Regarding Blind Roll Direction



Top
(Reverse Roll)

Please note that the top blind must roll to the front (reverse roll) for clearance from the lower blind.

Bottom
(Standard Roll)

It is recommended that the lower blind roll to the rear (standard roll) by default for base rail separation.

Installing The Chain Diverter

1: a) Determine whether the control chain mechanism for the top blind will be on the left or right hand side.

b) Select the Right or Left bracket for installing the chain diverter:

- If the chain mechanism for the top blind is to be on the right hand side, the chain diverter shall be placed on the Right bracket.
- If the chain mechanism for the top blind is to be on the left hand side, the chain diverter shall be placed on the Left bracket.



2: Position the chain diverter with the plastic pins facing the mounting holes and with the narrow part at the top, wide part at the bottom.



3: Insert the chain diverter pins into the mounting holes and press hard into place
-Tip: You may find it easier to insert one pin then apply a combination of horizontal and downward pressure on other pin. The diverter will snap into place.



4: Screw the diverter into place with the supplied screw,

Installing Idler Bearings



1: Determine where the idler pins are to be mounted



2: Insert the idler bearing into the centre of the brackets.

3: Rotate the idler bearing clockwise and lock into place.

Mounting The Blind Into The Brackets



1: Insert the idler end of the top blind into the corresponding idler bearing, depressing the idler pin against the bracket.

2: Insert the control chain mechanism end into the opposing bracket and lower so that the hook is engaged to prevent lateral movement.

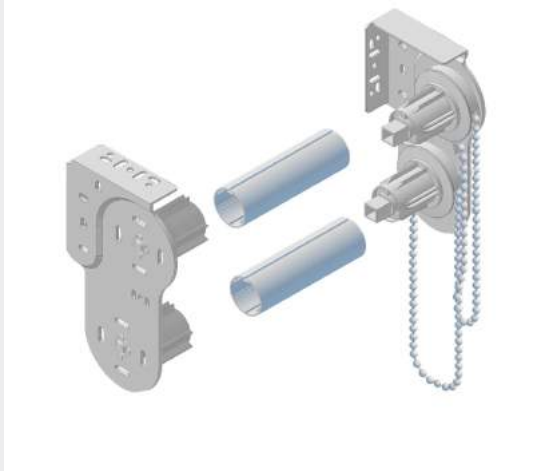
3: Ensure that the rear side of the control chain from the top blind is running over the top of the chain diverter as shown.

4: Repeat steps 1 and 2 for the lower blind.

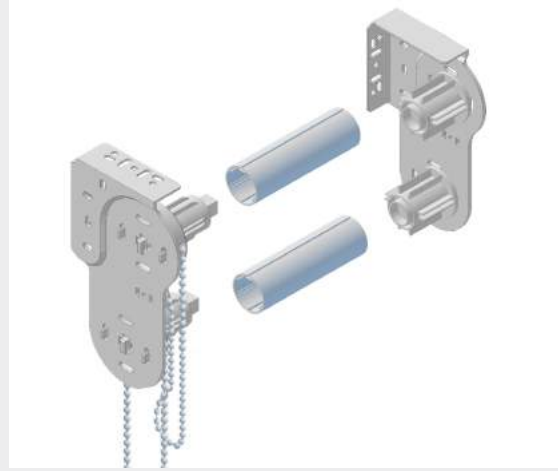


Mounting Configuration Options Double Brackets

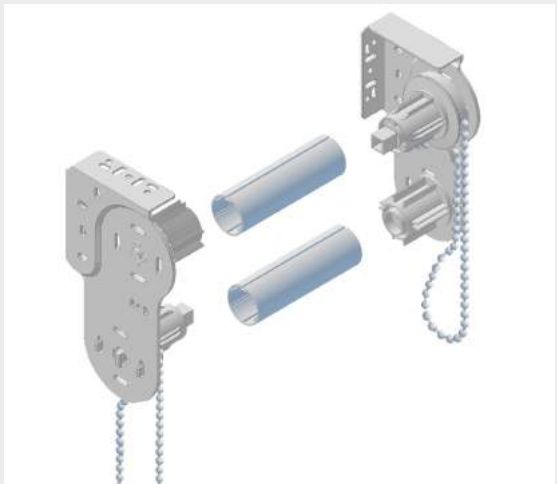
Option One:
Top Blind - Right Control
Lower Blind - Right Control



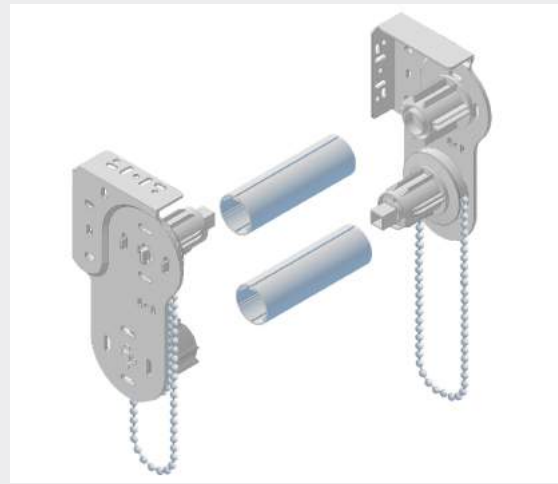
Option Two:
Top Blind - Left Control
Lower Blind - Left Control



Option Three:
Top Blind - Right Control
Lower Blind - Left Control



Option Four:
Top Blind - Left Control
Lower Blind - Right Control



Linked Double Blind With J Bracket (Control Together)

Combining double brackets with a linking 'J' bracket allows for each pair of blinds to be connected in the centre and controlled by one chain control mechanism on either side.

Important - Please Note For Proper Installation:

The female (plastic) centre idler must be installed on the same side as the chain control mechanism.

The female (plastic) centre idler must be fully inserted into the centre bracket.

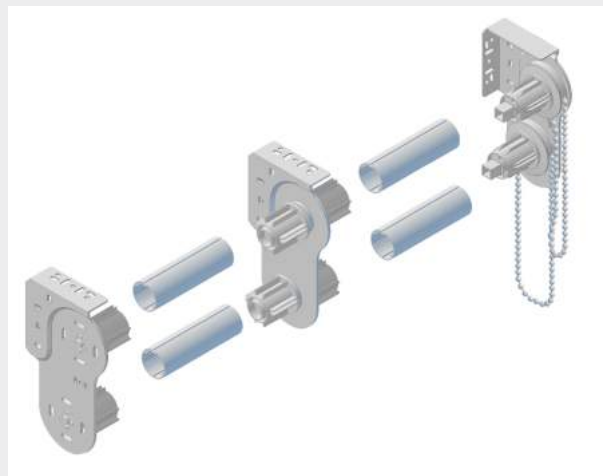
The male (metal cog) idler must be fully engaged into the female idler to prevent stripping.

Adjust outer bracket positions as necessary to achieve a snug fit in the centre.

Mounting Configuration Options Double J Brackets

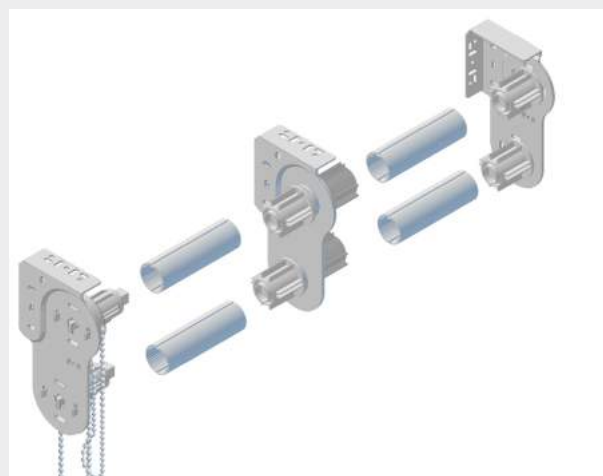
Option One:

Top Blind Pair - Right Control
Lower Blind Pair - Right Control



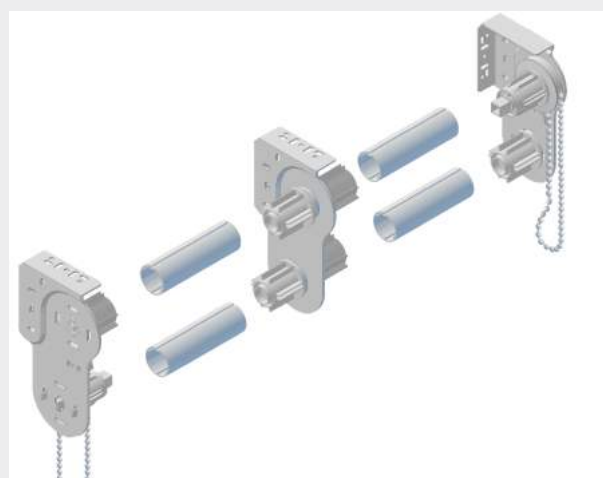
Option Two:

Top Blind - Left Control
Lower Blind - Left Control



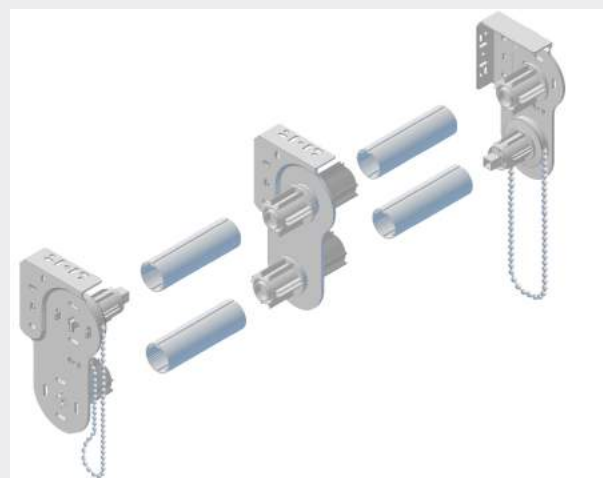
Option Three:

Top Blind Pair - Right Control
Lower Blind Pair - Left Control



Option Four:

Top Blind Pair - Left Control
Lower Blind Pair - Right Control



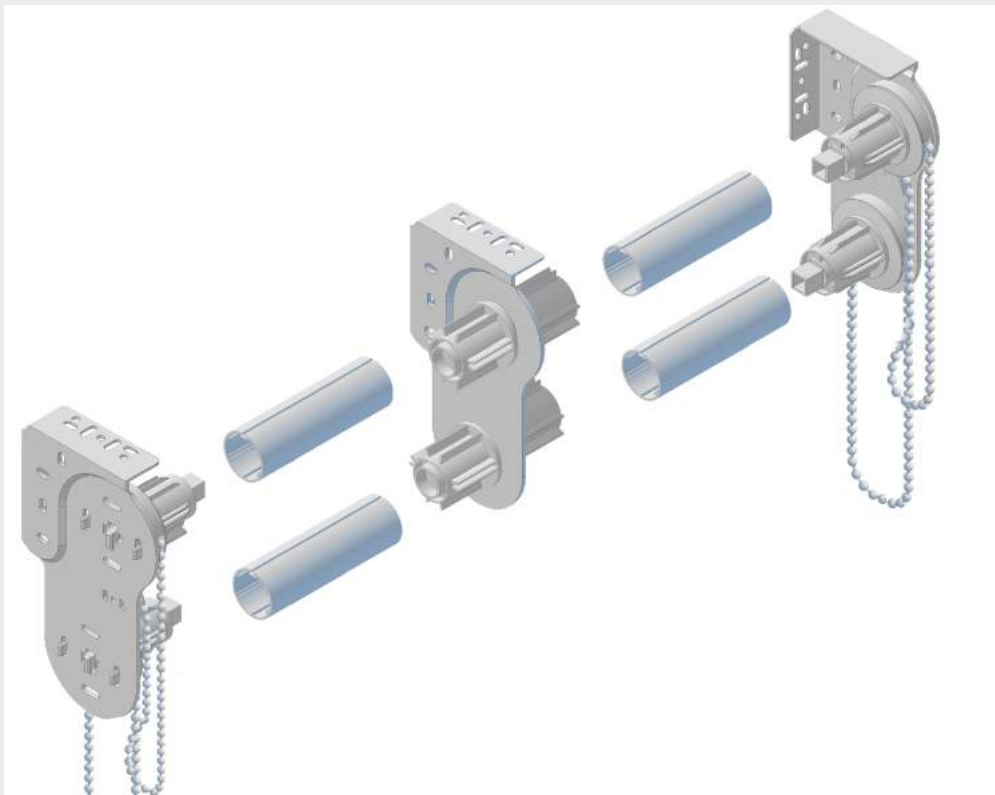
Linked Double Blind With M Bracket (Control Independently)

Combining double brackets with a linking 'M' bracket allows for each pair of blinds to be connected in the centre and controlled individually with a chain control mechanism.

Mounting Configuration Options Double M Brackets

Option One:

There is only one configuration option since each blind has a chain control.





WINDOW COVERING & SHADING SYSTEMS

JAI PRODUCTS PTY LTD

B1/26 POWERS ROAD, SEVEN HILLS, NSW 2147, AUSTRALIA

P + 61 2 9620 4866 F + 61 2 9620 4855

www.jaipl.com.au
